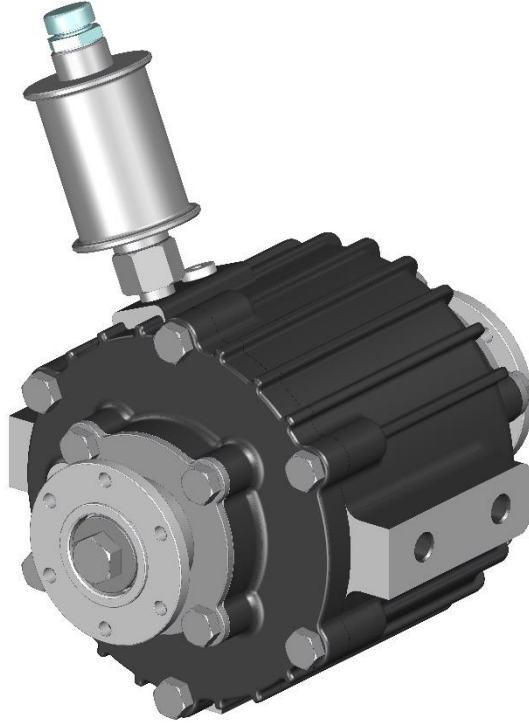




KOZANOĐLU  
**KOZMAKSAN**

**HYDRAULIC PUMPS & POWER TAKE-OFFS MANUFACTURING LIMITED CO.**

HİDROLİK POMPA ve ARA ŞANZİMAN PTO İMALAT SAN.LTD.ŞTİ.



**KRD.16 CLUTCH PTO CLUTCH-DISC REPLACEMENT**  
**MANUAL**



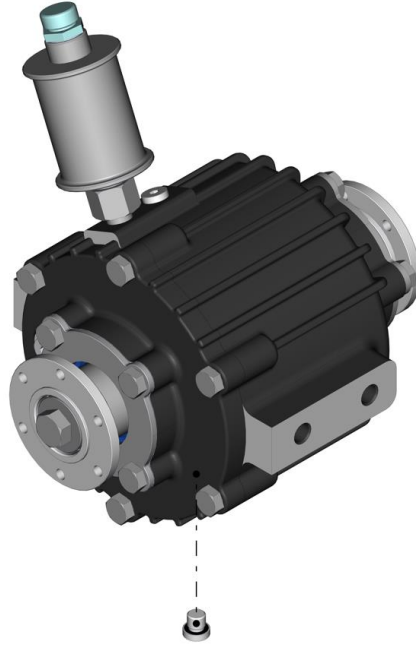
## Table of Contents:

### 1- *Clutch-Disc Replacement*

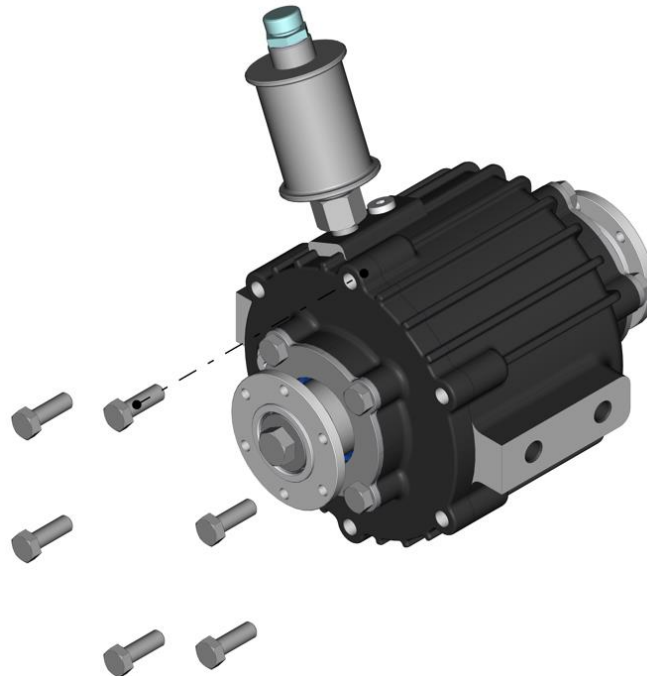
..... 3



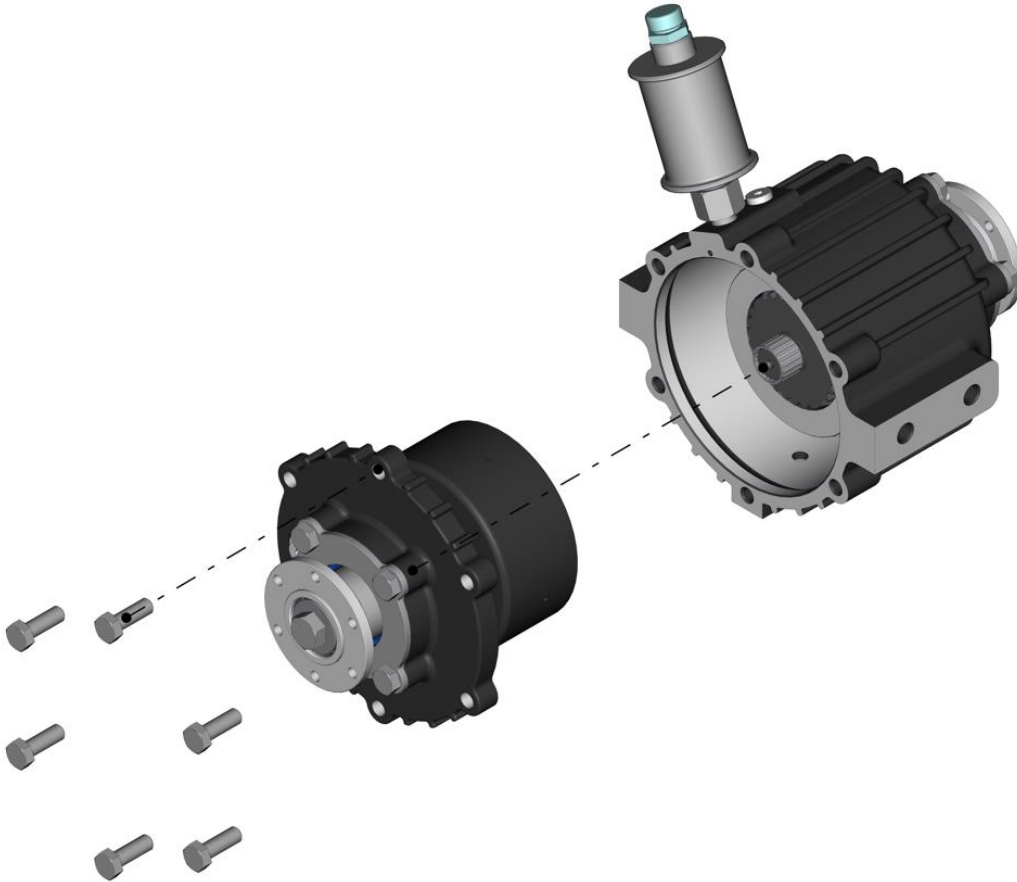
## 1-Clutch-Disc Replacement



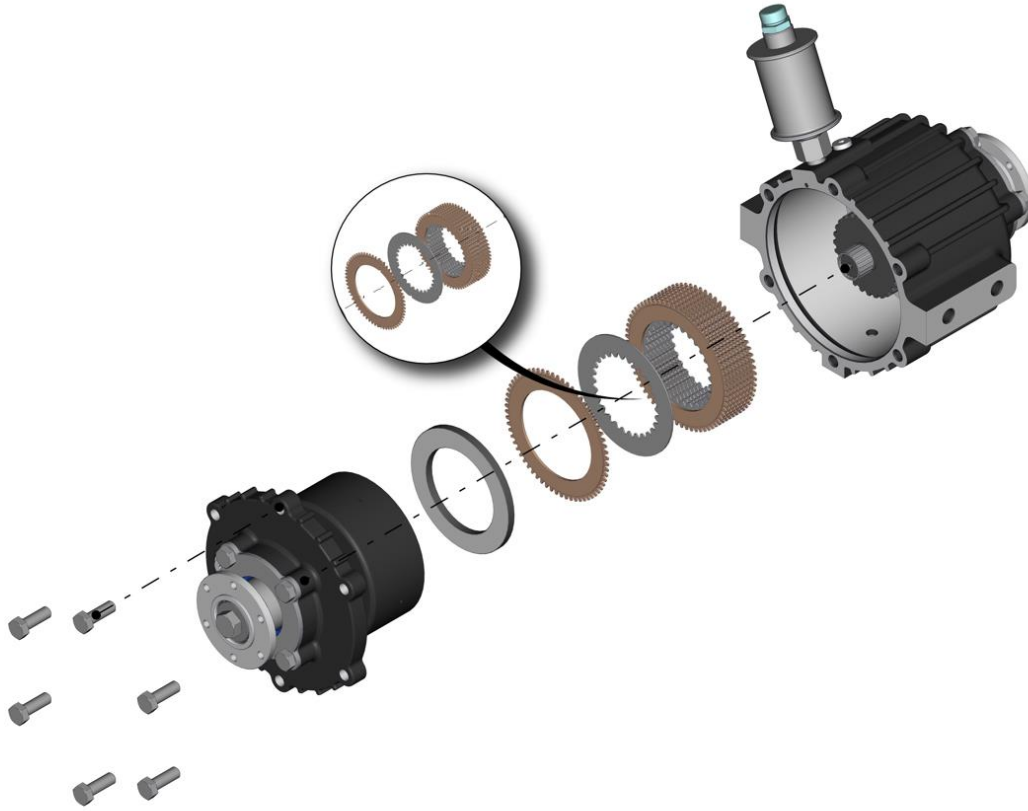
- First, loosen the oil drain plug at the bottom of the removed PTO to drain the oil completely. Afterwards mount it back.



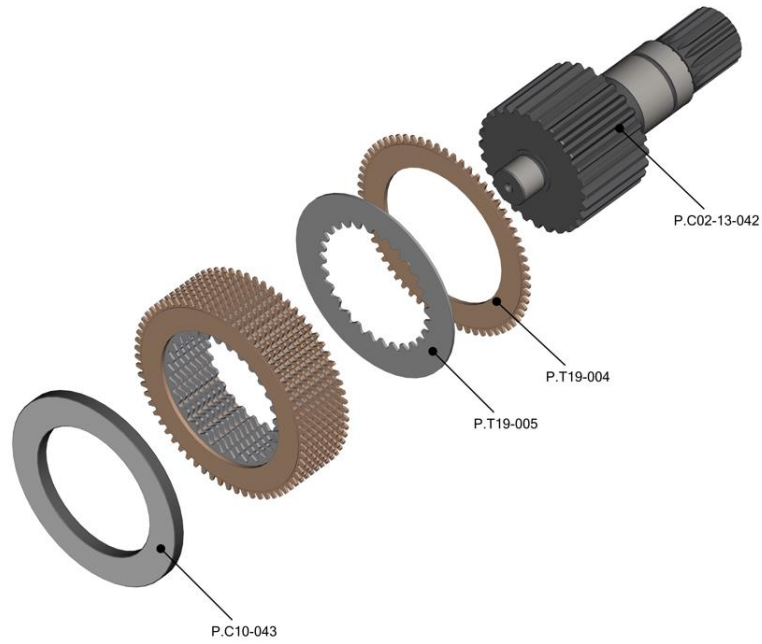
- Remove 6 penta bolts which attach the cap to the PTO body.

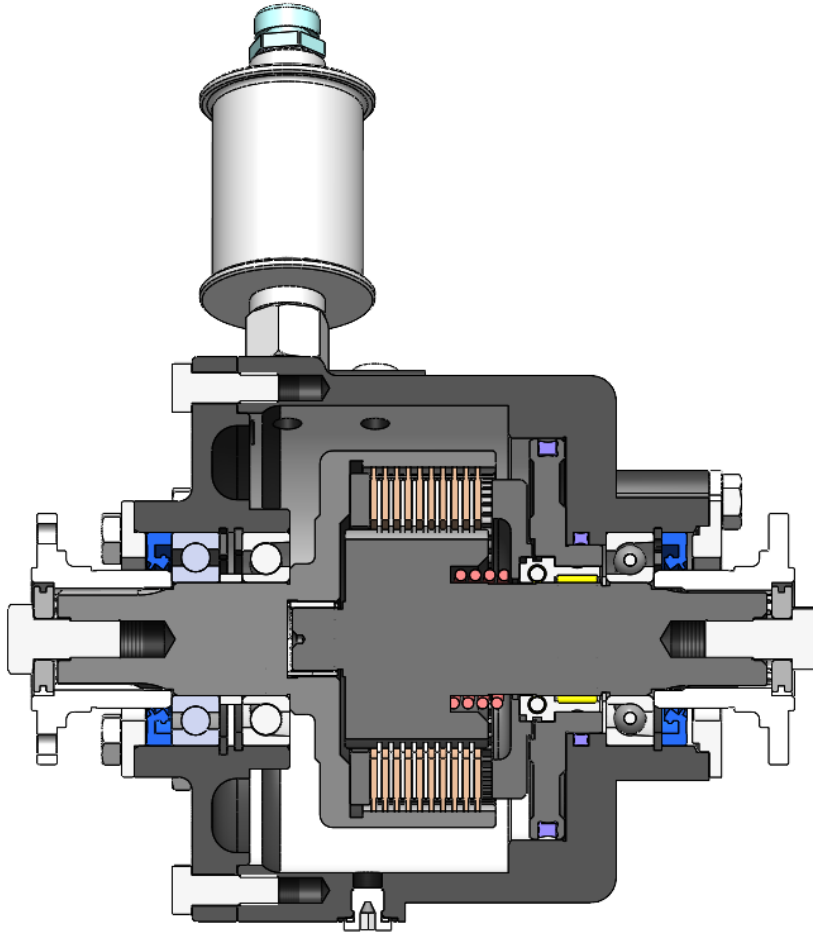


- Next, pull the flange to remove it from the body along with the clutch bowl. Attention must be paid to safety and protective clothing during this action. Furthermore, minimum force must be applied while pulling to avoid any damage to the parts inside the PTO. The clutch bowl, PTO cap and bearings will come off altogether.

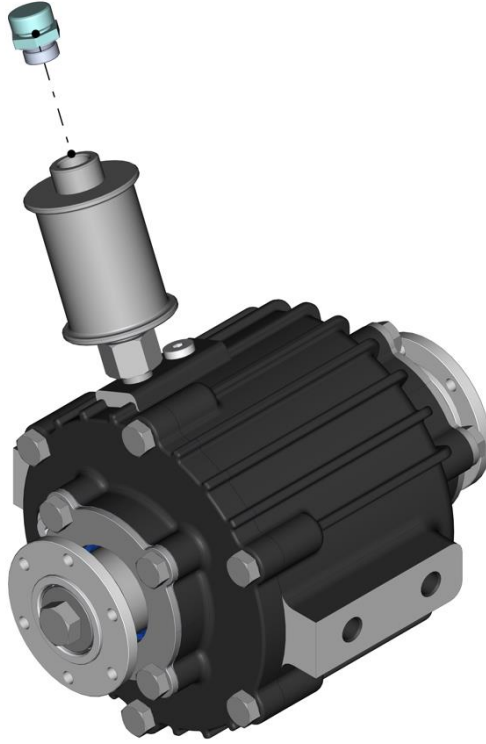


- Remove the insert located in front of the discs. Move on to remove bronze and steels discs.





- The new discs are slipped over the main shaft in the body one by one starting with the bronze disc to be followed by a steel one, totalling to 10 bronze and 9 steel discs. Placing the bronze discs with their clutches to face the same direction will facilitate the clutch bowl assembly. Afterwards, clean the removed insert to mount it back. Next, place the bowl -already coupled with the cap- by matching the clutches on the bronze disc, and then close the cap by applying liquid sealant. Finally tighten the bolts to the suitable torque.



- To complete the task, remove the breather plug and add 0.8 lt of ATF320 type oil and mount it back.